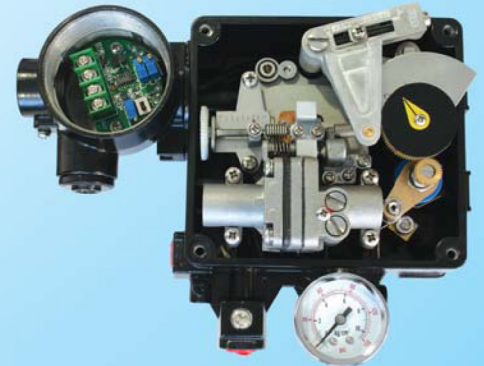


## Mechanical Positioner

Model	ATP-1000	ATP-1200
Input signal	4-20mADC(5-15mADC)	0.2 ~ 1kgf/cm <sup>2</sup> (3 ~ 15psi)
Impedance	250 ± 15 Ω	/
Supply pressure	1.4 ~ 7kgf/cm <sup>2</sup> (20 ~ 100psi)	1.4 ~ 7kgf/cm <sup>2</sup> (20 ~ 100psi)
Stroke	0° -90° (R), 10-150mm(L)	0° -90° (R), 10-150mm(L)
Air connection	G(NPT)1/4	PT(NPT)1/4
Gauge connection	G(NPT)1/8	PT(NPT)1/8
Conduit	G(NPT)1/2	/
Explosion proof	ExdIIBT6,ExialICT6,Non-Explosion	/
Protection	IP66	IP66
Ambient temperature	-20°C ~ 70°C	-20°C ~ 70°C
Linearity	± 1.5%	± 1.5%
Hysteresis	1.5%	1.5%
Sensitivity	0.4%	0.4%
Air consumption	3LPM(Sup=1.4kgf/cm <sup>2</sup> ,20psi)	3LPM(Sup=1.4kgf/cm <sup>2</sup> ,20psi)
Flow capacity	8LPM(Sup=1.4kgf/cm <sup>2</sup> ,20psi)	8LPM(Sup=1.4kgf/cm <sup>2</sup> ,20psi)
Material	Aluminum Die Casting	Aluminum Die Casting
Weight	2.7kg(6lb)2.8kg(6.2lb)	1.7kg(3.7lb)

## Internal Position Transmitter (optional)

Input type	2Wire
Input Signal	0° -90°
Output Signal	4-20mADC
Load Resistance	0 ~ 600 Ω
Noise Range	50mVp.p
Adjustable Range	Zero: ± 10%
	Span:60 ~ 110%
Protection	IP66
Linearity	± 1%
Sensitivity	± 0.2%
Hysteresis	0.002
Supply Voltage	15 ~ 30VDC
Explosion Proof	Non-Explosion

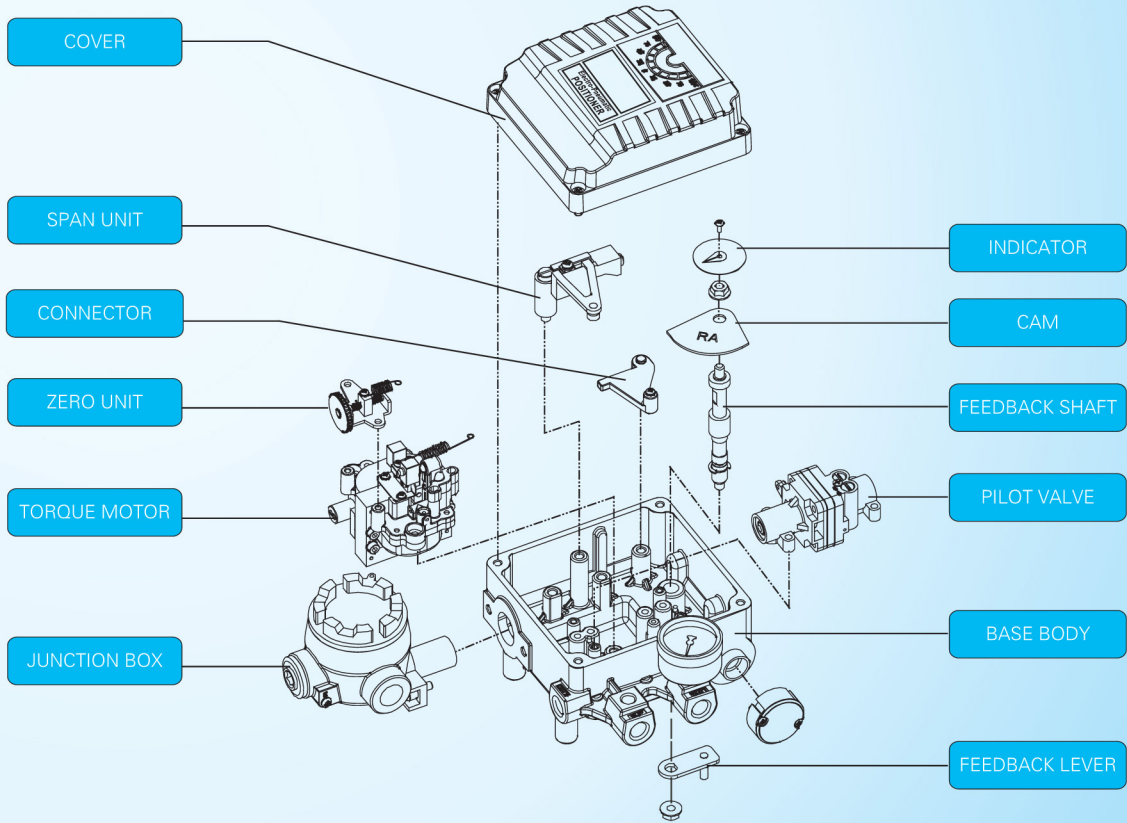


## Internal Switches (optional)

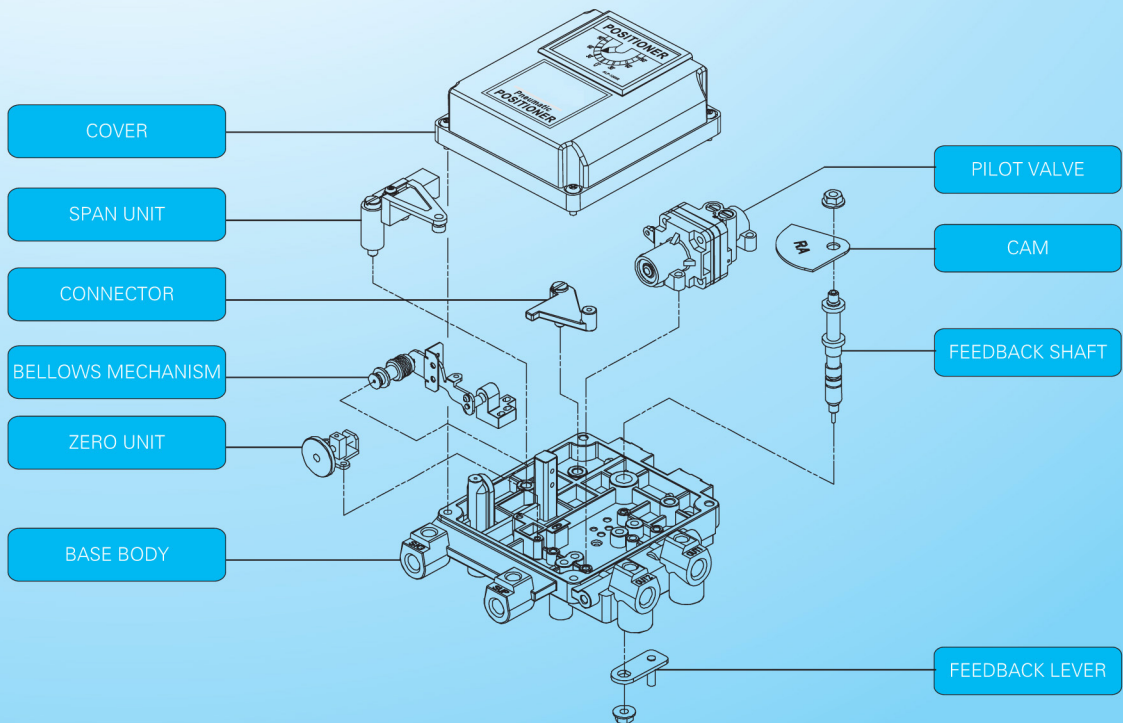
Mechanical Switches	Honeywell, 5A125-250VAC(2-SPST)
---------------------	---------------------------------



## E-P positioner



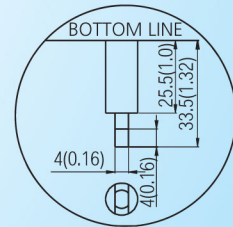
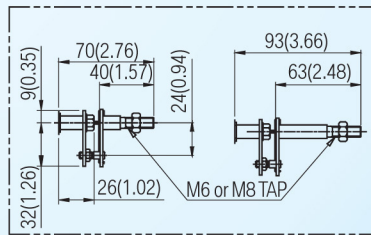
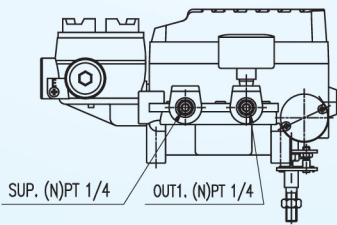
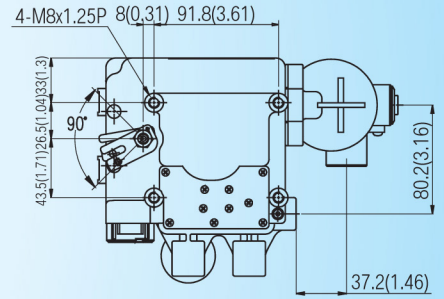
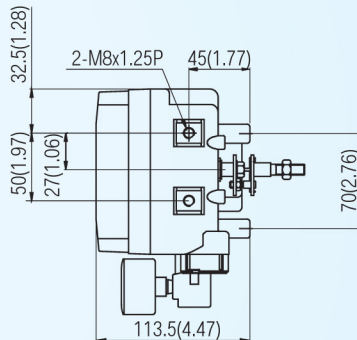
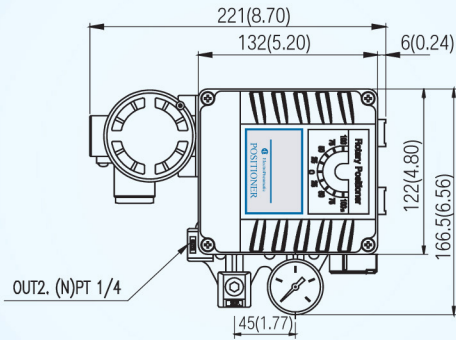
## P-P positioner



# Dimensions

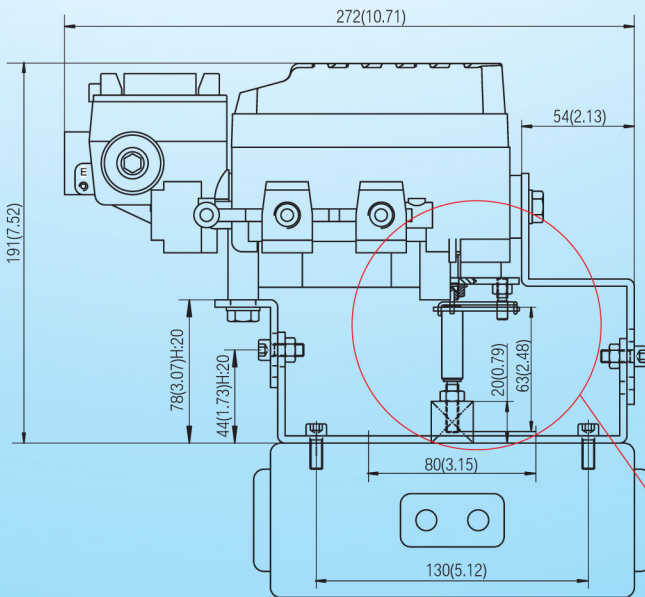


## Dimensional drawings E-P positioner (Rotary)

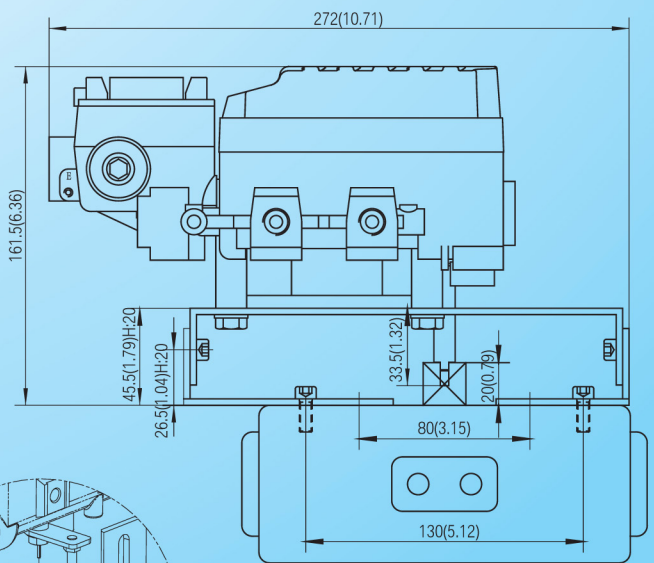


FORK LEVER TYPE

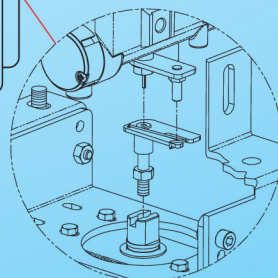
## Mounting E-P positioner (Rotary)



M6 x 63L Lever Connection

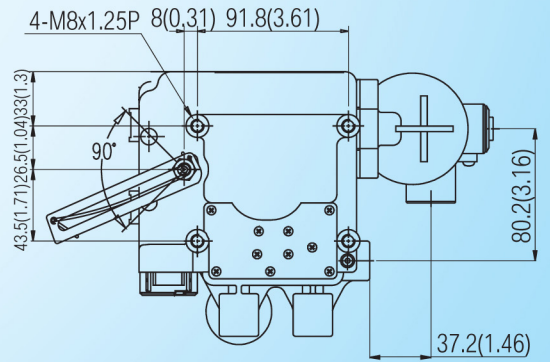
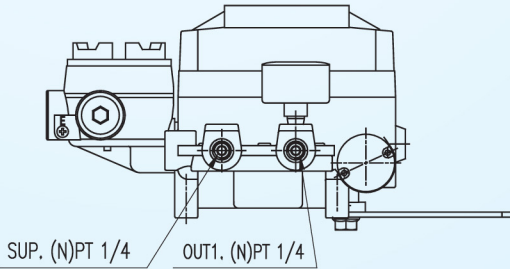
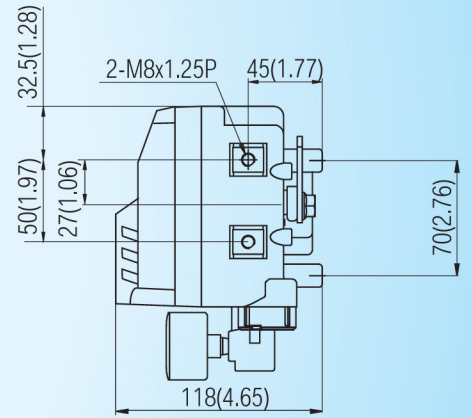
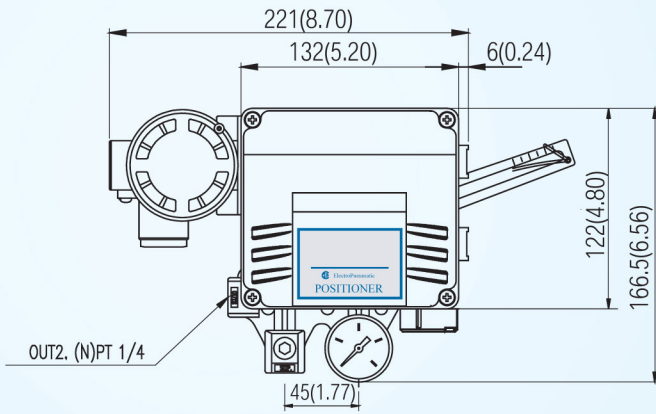


Namur Connection





Dimensional drawings  
E-P positioner (Linear)



Mounting  
E-P positioner (Linear)

