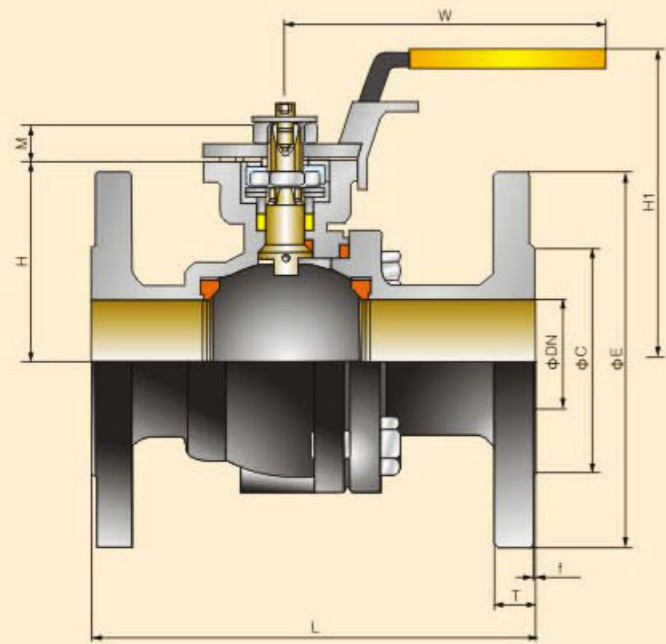


10K/20K

2-PC BODY, FLANGE END, FULL PORT, JIS SERIES



JIS 10K

DN(mm)	φD	L	φE	φB	φC	T	f	N-φh	H	H1	W	M	P	A1	A2	B1	B2
15	15	108	95	70	52	12	1	4-15	48.0	79	135	9.0	9.0	6.0	6.0	36.0	42.0
20	20	117	100	75	58	14	1	4-15	53.0	84	135	9.0	9.0	6.0	6.0	36.0	42.0
25	25	127	125	90	70	14	1	4-19	64.0	95	170	11.0	11.0	6.0	7.0	42.0	50.0
32	32	140	135	100	80	16	2	4-19	71.0	103	170	11.0	11.0	6.0	7.0	42.0	50.0
40	38	165	140	105	85	16	2	4-19	76.0	111	200	14.0	14.0	7.0	9.0	50.0	70.0
50	50	178	155	120	100	16	2	4-19	85.0	120	200	14.0	14.0	7.0	9.0	50.0	70.0
65	64	190	175	140	120	18	2	4-19	104.0	153	300	17.0	17.0	9.0	11.0	70.0	102.0
80	76	203	185	150	130	18	2	8-19	114.0	163	300	17.0	17.0	9.0	11.0	70.0	102.0
100	100	229	210	175	155	18	2	8-19	140.0	182	400	22.0	22.0	non	11.0	non	102.0
125	125	356	250	210	185	20	2	8-23	183.0	260	500	27.0	27.0	14.0	non	125.0	non
150	150	394	280	240	215	22	2	8-23	202.0	280	800	27.0	27.0	14.0	non	125.0	non
200	200	457	330	290	265	22	2	12-23	253.0	-	1100	27.0	27.0	14.0	non	125.0	non

JIS 20K

DN(mm)	φD	L	φE	φB	φC	T	f	N-φh	H	H1	W	M	P	A1	A2	B1	B2
15	15	140	95	70	52	14	1	4-15	48.0	79	135	9.0	9.0	6.0	6.0	36.0	42.0
20	20	152	100	75	58	16	1	4-15	53.0	84	135	9.0	9.0	6.0	6.0	36.0	42.0
25	25	165	125	90	70	16	1	4-19	64.0	95	170	11.0	11.0	6.0	7.0	42.0	50.0
32	32	178	135	100	80	18	2	4-19	71.0	103	170	11.0	11.0	6.0	7.0	42.0	50.0
40	38	190	140	105	85	18	2	4-19	76.0	111	200	14.0	14.0	7.0	9.0	50.0	70.0
50	50	216	155	120	100	18	2	8-19	85.0	120	200	14.0	14.0	7.0	9.0	50.0	70.0
65	64	241	175	140	120	20	2	8-19	104.0	153	300	17.0	17.0	9.0	11.0	70.0	102.0
80	76	283	200	160	135	22	2	8-23	114.0	163	300	17.0	17.0	9.0	11.0	70.0	102.0
100	100	305	225	185	160	24	2	8-23	140.0	182	400	22.0	22.0	non	11.0	non	102.0
125	125	381	270	225	195	26	2	8-25	183.0	260	500	27.0	27.0	14.0	non	125.0	non
150	150	403	305	260	230	28	2	12-25	202.0	280	800	27.0	27.0	14.0	non	125.0	non
200	200	502	350	305	275	30	2	12-25	253.0	-	1100	27.0	27.0	14.0	non	125.0	non

TECHNIAL SPECITICATION

- Design:
ASME B16.34
API608
- Fire Safe:
API 607 4th1993
- Face to Face:
JIS B 2002
- End Flange:
JIS B2212-B213
- Inspection & Testing:
JIS B2003,API6D

