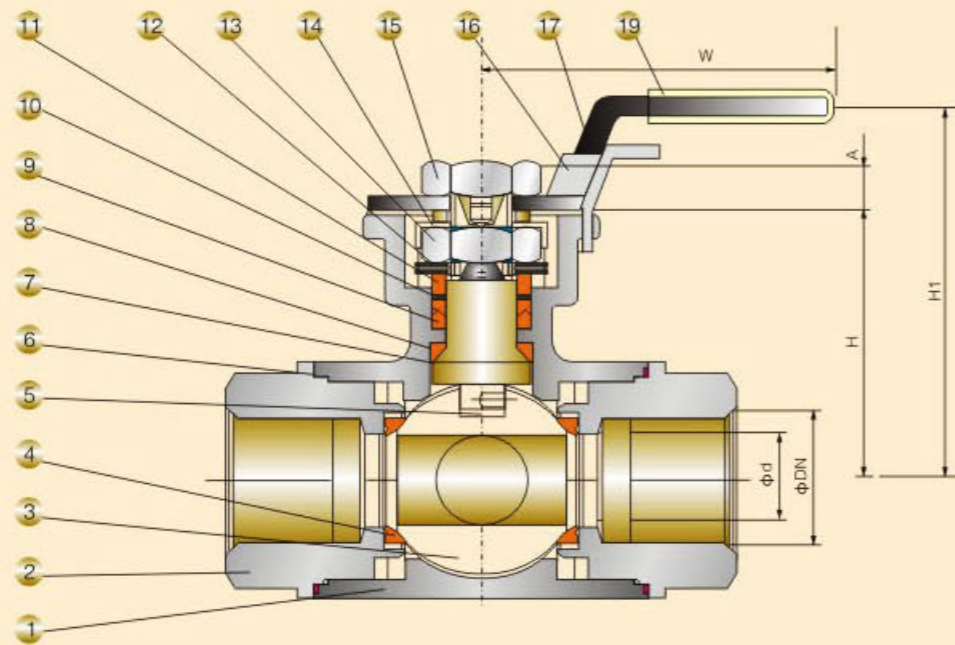
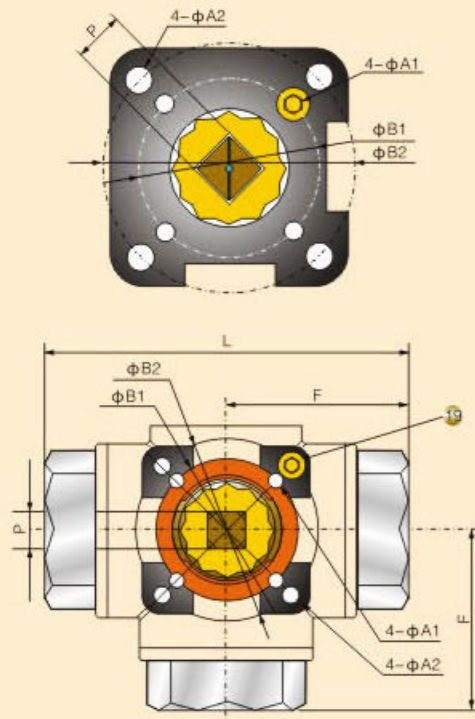


GB SERIES PN16/PN40

3-WAY BODY, SCREW END, ISOSZII DIRECT MOUNTING PAD FLOATING BALL VALVE



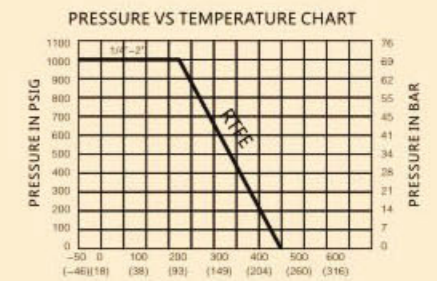
Dimension Table

DN	Size	ϕd	L	F	H	H1	$\phi B1$	$\phi B2$	P	$\phi A1$	$\phi A2$	A	W	B	Screw Type
15	1/2"	11.0	79.0	39.5	42.0	70.0	42.0	36.0	9.0	6.0	6.0	9.0	135.0	27.0	NPT
20	3/4"	15.0	88.0	44.0	49.0	77.0	50.0	36.0	9.0	6.0	7.0	9.0	135.0	34.0	BSP
25	1"	20.0	108.0	54.0	59.5	87.0	50.0	42.0	11.0	6.0	7.0	11.0	170.0	41.0	PT
32	1-1/4"	25.0	124.0	62.0	63.0	93.0	70.0	42.0	11.0	6.0	9.0	11.0	170.0	50.0	DIN
40	1-1/2"	32.0	135.0	67.5	73.5	103.0	70.0	50.0	14.0	7.0	9.0	14.0	200.0	56.0	etc.
50	2"	40.0	164.0	82.0	82.5	113.0	70.0	50.0	14.0	7.0	9.0	14.0	200.0	70.0	

MAIN PARTS AND MATERIALS

NO.	Parts description	Material
1	Body	CF8M / CF8 / WCB
2	Cap	CF8M / CF8 / WCB
3	Ball body	316 / 304
4	Seat	PTFE / PPL
5	Stem	316 / 304 / 2Cr13
6	Body Gasket	PTFE
7	Anti-Static	304
8	Thrust Washer	PTFE
9	Transition Washer	PTFE
10	Transition Washer	RPTFE, Flexible graphite
11	Packing ring	304
12	Bellivel Washer	304
13	Nut	304
14	Stop-lock cap	304
15	Handle Nut	304
16	Lock Device	304
17	Handle	304
18	Handle sleeve	Plastics
19	Stop bolt	304

TEMPERATURE CHART PN1.6MPA



SPECIFICATIONS

Working Pressure: 1000WOG(Class 400), PN64
 Temperature Range: -20 ~ 250°C
 Suitable medium: Water, oil, air and some Corrosive liquid
 Thread type: G • NPT.BSPT.BSP DIN259/2999