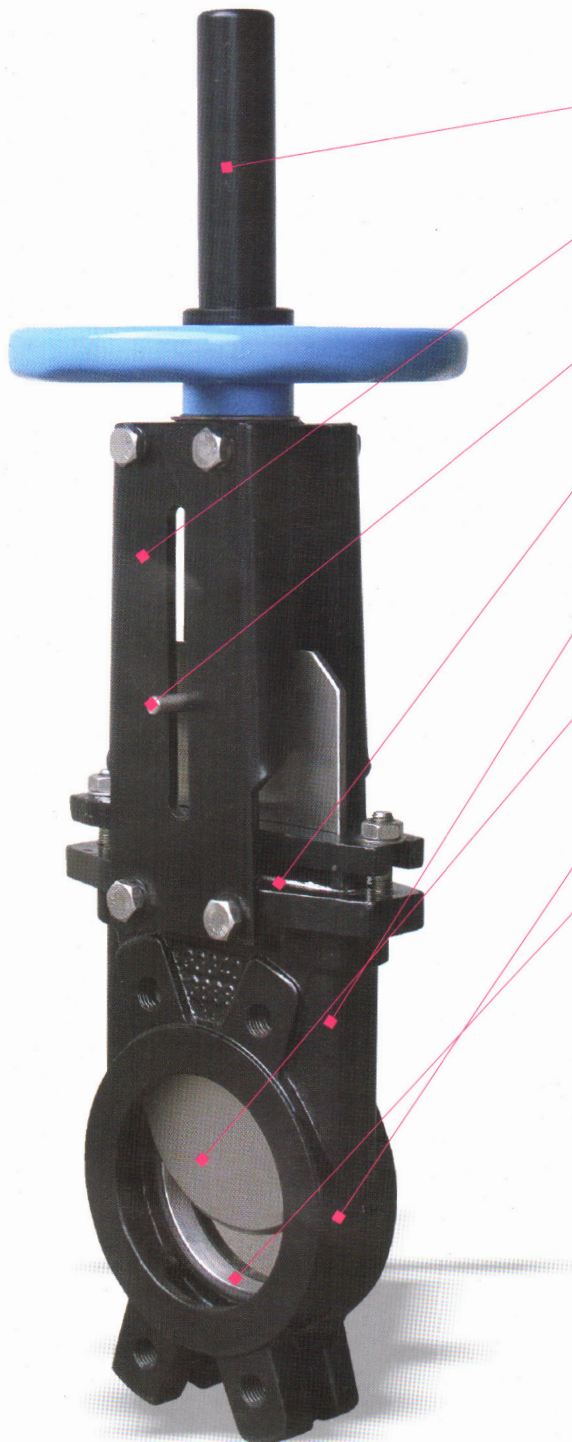


KGV90



- **Protector tube**
- **Support plate**
(Machine pressed + epoxy coated)
- **Position indicator**
- **Packing**
(PTFE + silicone)
- **One piece body**
(Oven baked)
- **Knife**
(Superior machined + polished)
- **Flow arrow**
- **Renewable seat**

Main parts and materials

| NO. | Part Name | Ductile iron | CF8M |
|-----|--------------------|---------------|------------------|
| 1 | Body | GGG40 | ASTMA351 CF8M |
| 2 | Gate | X5CrNi189 | SS316 |
| 3 | Retainer ring | X5CrNi189 | SS316 |
| 4 | Sealing ring | EPDM or metal | SS316 or Viton |
| 5 | Packing | PTFE+Silicone | PTFE+Silicone |
| 6 | Packing gland | GGG40 | ASTMA351 CF8M |
| 7 | Position indicator | X5CrNi189 | SS316 |
| 8 | Stem | X20Cr13 | ASTMA276 316 |
| 9 | Stem nut | G-CuSn72nPb | ASTM B148 C95200 |
| 10 | Support plate | St33 | SS304 |

KG V90

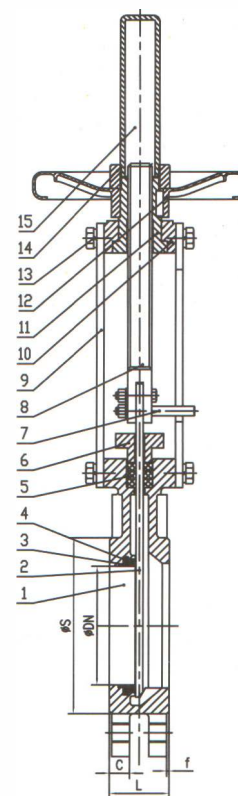
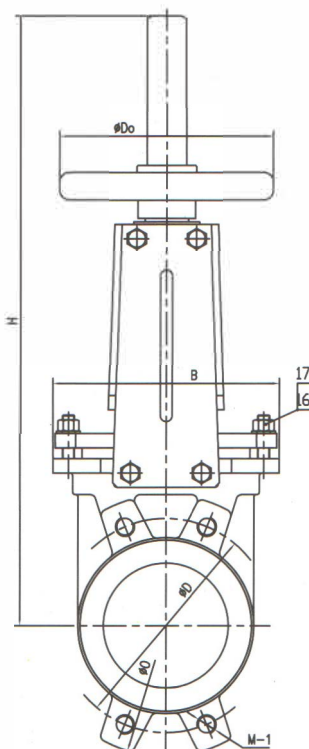
Products Range:

Pressure rate: PN10, Class 150

Size: DN50-DN400

Body material: Ductile iron, stainless steel, duplex stainless steel

Operated type: Handwheel op.

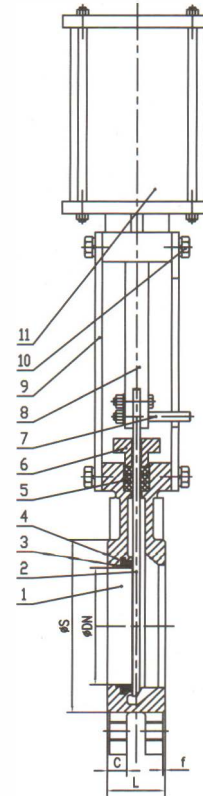
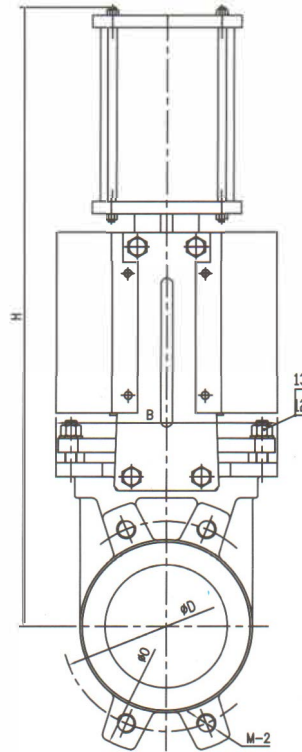


Main dimensions

| DN | L | O | D | S | C | f | M-1 | B | H | Do | Weight (KGS) |
|-----|-----|-----|-----|-----|----|---|--------|-----|------|-----|--------------|
| 50 | 40 | 165 | 125 | 95 | 16 | 2 | 4-M16 | 136 | 375 | 180 | 7 |
| 65 | 40 | 185 | 145 | 110 | 16 | 2 | 4-M16 | 151 | 420 | 180 | 8 |
| 80 | 50 | 200 | 160 | 127 | 17 | 2 | 8-M16 | 170 | 450 | 200 | 11 |
| 100 | 50 | 220 | 180 | 148 | 17 | 2 | 8-M16 | 190 | 512 | 200 | 12 |
| 125 | 50 | 250 | 210 | 174 | 17 | 2 | 8-M16 | 212 | 570 | 220 | 15 |
| 150 | 60 | 285 | 240 | 199 | 21 | 2 | 8-M20 | 230 | 665 | 250 | 21 |
| 200 | 60 | 340 | 295 | 250 | 21 | 2 | 8-M20 | 286 | 825 | 300 | 29 |
| 250 | 70 | 395 | 350 | 308 | 24 | 2 | 12-M20 | 338 | 1000 | 350 | 46 |
| 300 | 70 | 445 | 400 | 360 | 24 | 2 | 12-M20 | 388 | 1155 | 350 | 66 |
| 350 | 96 | 505 | 460 | 416 | 33 | 2 | 16-M20 | 460 | 1310 | 400 | 92 |
| 400 | 100 | 565 | 515 | 466 | 35 | 2 | 16-M24 | 520 | 1475 | 500 | 125 |

KGV90P

Products Range:
 Pressure rate:PN10 , Class 150
 Size:DN50-DN600
 Body material: Ductile iron, stainless steel, duplex stainless steel
 Operated type: Pneumatic actuator
 Cylinder type :Double acting



Main dimensions

| DN | L | O | D | S | C | f | M-1 | B | H | Weight (KGS) |
|-----|-----|-----|-----|-----|----|---|--------|-----|------|--------------|
| 50 | 40 | 165 | 125 | 95 | 16 | 2 | 4-M16 | 136 | 430 | 7 |
| 65 | 40 | 185 | 145 | 110 | 16 | 2 | 4-M16 | 151 | 460 | 9 |
| 80 | 50 | 200 | 160 | 127 | 17 | 2 | 8-M16 | 170 | 510 | 12 |
| 100 | 50 | 220 | 180 | 148 | 17 | 2 | 8-M16 | 190 | 570 | 14 |
| 125 | 50 | 250 | 210 | 174 | 17 | 2 | 8-M16 | 212 | 660 | 22 |
| 150 | 60 | 285 | 240 | 199 | 21 | 2 | 8-M20 | 230 | 720 | 25 |
| 200 | 60 | 340 | 295 | 250 | 21 | 2 | 8-M20 | 286 | 890 | 38 |
| 250 | 70 | 395 | 350 | 308 | 24 | 2 | 12-M20 | 338 | 1120 | 65 |
| 300 | 70 | 445 | 400 | 360 | 24 | 2 | 12-M20 | 388 | 1230 | 77 |
| 350 | 96 | 505 | 460 | 416 | 33 | 2 | 16-M20 | 460 | 1370 | 195 |
| 400 | 100 | 565 | 515 | 466 | 35 | 2 | 16-M24 | 520 | 1570 | 240 |
| 450 | 106 | 615 | 565 | 525 | 36 | 2 | 20-M24 | 585 | 1720 | 306 |
| 500 | 110 | 670 | 620 | 584 | 37 | 2 | 20-M24 | 635 | 1850 | 365 |
| 600 | 110 | 780 | 725 | 664 | 37 | 2 | 20-M27 | 720 | 2150 | 420 |